

# Certificate

## EC Type Examination

No. BSI-LB-001

Issued to:

**T.A. Savery and Co Limited  
and also T/A Oleo International  
Grovelands Estate  
Longford Road  
Exhall  
Coventry  
CV7 9NE  
United Kingdom**

In respect of:

**Energy Dissipation Buffer model SEB16.2**

on the basis of our examination under the requirements of Council Directive 95/16/EC, Annex V:A, The Lift Directive, as recorded in BSI Report No. 282/005059-10 dated October 1998, 239/4900411 dated 12 December 2006 and 239/ 7342603 dated 10 April 2009.

**Any modification to the design of this product will invalidate the EC Certificate and the Notified Body, number 0086, must be informed without delay.**

For and on behalf of the British Standards Institution, a Notified Body for the above Directive (Notified Body Number 0086):



Gary Fenton, Global Assurance Director

First Issued: 23 October 1998

Issue: 4

Date: 23 April 2012

*raising standards worldwide*™ Page: 1 of 3



## EC Type Examination

No. BSI-LB-001

Scope of Certificate for energy dissipation buffer model SEB16.2 is installed to operate under the following conditions:

1. For use with a minimum mass of 450kg.
2. For use with a maximum mass of 4545kg.
3. With a maximum impact speed of up to 1.84 m/s.
4. For use with hydraulic fluid type that meets ISO VG68.

5. Additional manufacturing site:

Oleo Buffer (Shanghai) Co., Limited  
Plant A15, Xinfei Garden,  
No. 3802 Shengang Road,  
Songjiang,  
Shanghai. 201612  
China

First Issued: 23 October 1998

Issue: 4

Date: 23 April 2012

Page: 2 of 3

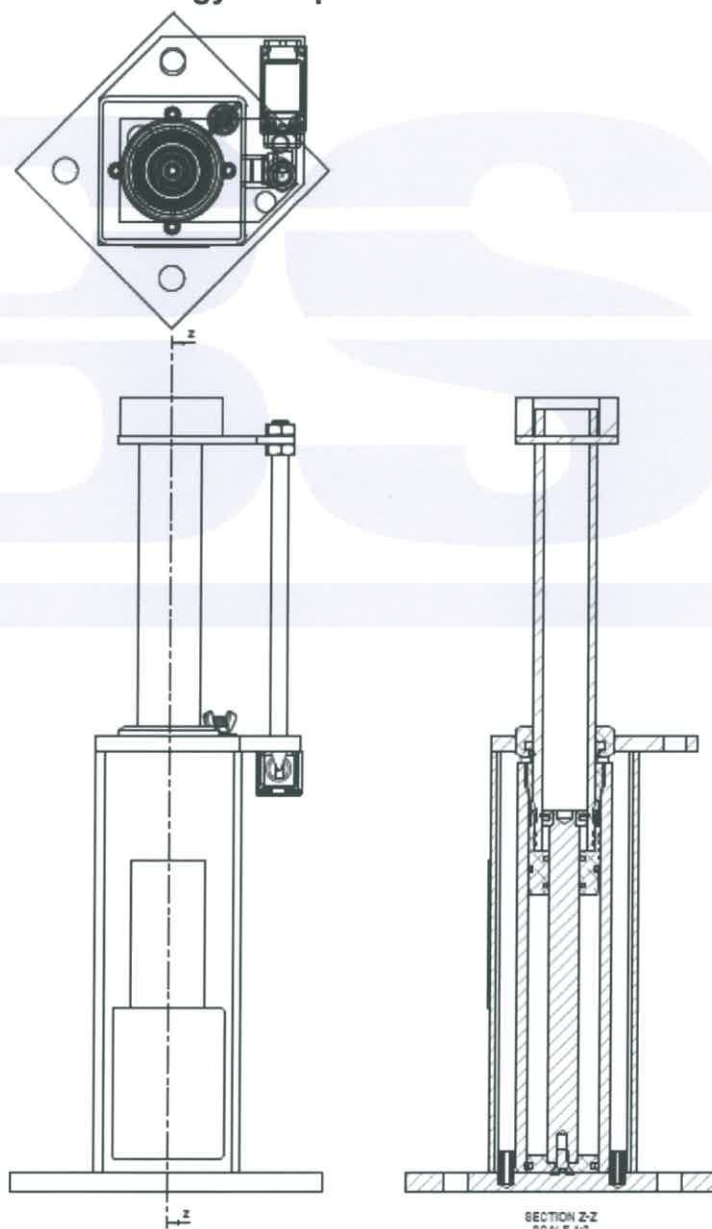
*raising standards worldwide*<sup>™</sup>



## EC Type Examination

No. BSI-LB-001

Energy Dissipation Buffer model SEB16.2



First Issued: 23 October 1998

Issue: 4

Date: 23 April 2012

Page: 3 of 3

*raising standards worldwide*<sup>TM</sup>

