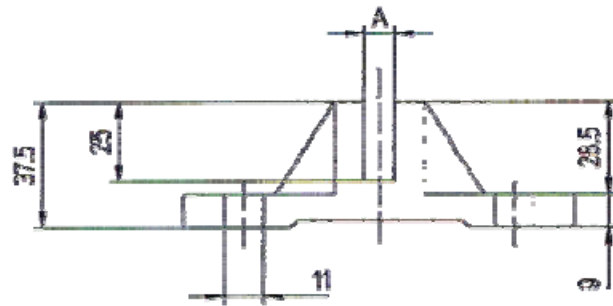
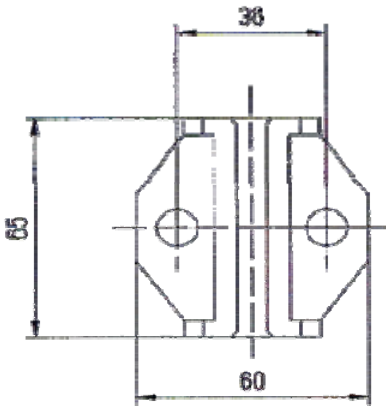
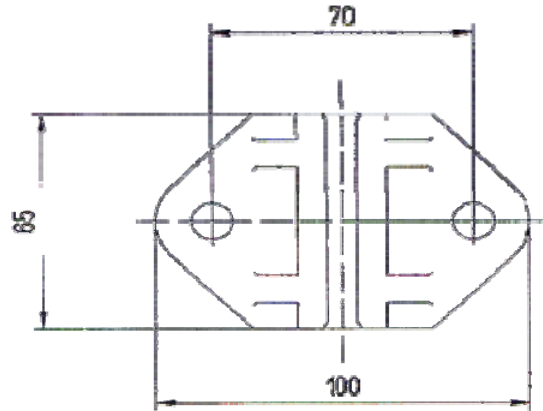


Drawing for :-  
ART 1044 - 45 - 46



Drawing for :-  
ART 1047 - 48



Man ref	A	SLS Pt No
ART 1044	5.5	AH30
ART 1045	6.5	To Order
ART 1046	7.5	To Order
ART 1047	6.5	To Order
ART 1048	7.5	To Order