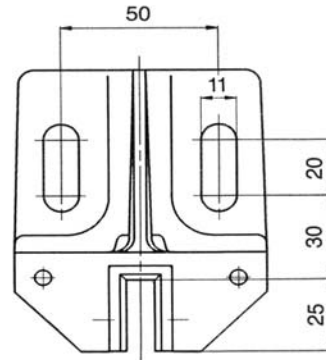
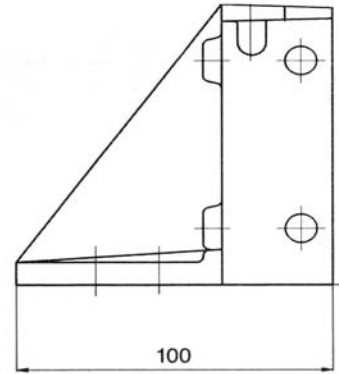
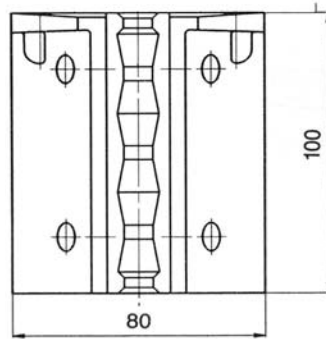


Angled Bracket Guide Shoes

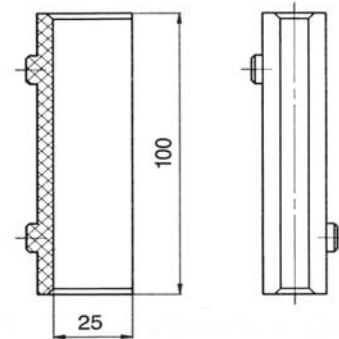
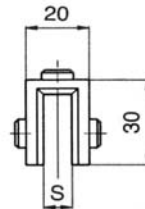
Solid aluminium design with provision within the guide shoe housing for exchange of inserts. Fixings allow individual adjustment.

Guide shoe housing part No AH02



Guide shoe inserts

(Profiled or straight version)
Made either of elastic, abrasion resistant Elastollan[®] or high load bearing Ultramid[®] (Special Quality)



Guide insert selection table

| Man Ref | Rail width | Ex Stock | SLS Pt No |
|---------|------------|----------|-----------|
| | S | GE | |
| 1005 | 5mm | X | AH07 |
| 1006 | 6mm | | To Order |
| 1009 | 9mm | X | AH08 |

GE Elastogran material is standard supply

P = Profiled bearing surface (To order)
U = Ultramid material (To order)

Elastogran



BASF Group

® = registered trademark of Elastogran or rather BASF

Guide lubricator selection is shown on sheet ref :- 03-05/6



01376 550666

01376 341219

All dimensions in (mm)
Sassi Lift Systems Ltd

Issue ref: 01-04

Section : 03-02