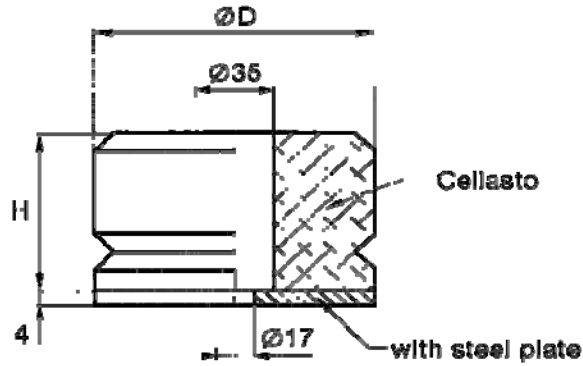
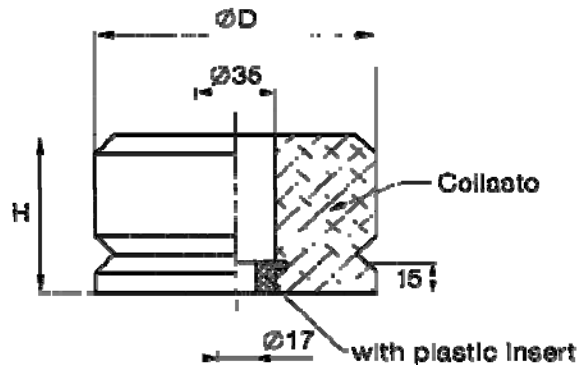


Version S
To Order



Version K
Standard



Product reference

Man ref	D	H	SLS Pt No
1251 K	125	80	N/A
1651 K	165	80	N/A
1411 K	140	110	N/A
1002 K	100	170	AA01A
1252 K	125	170	AA02B
1652 K	165	170	AA03A
2202 K	220	170	AA04A
1303 K	130	220	N/A
1653 K	165	220	N/A

Elastogran



BASF Group

Compression - 60% of height

For capacity and load range, please refer to sheet ref : 06-02



01376 550666
01376 341219

All dimensions in (mm)
Sassi Lift Systems Ltd

Issue ref: 01-04
Section : 06-01

Cellasto [®] overrun buffers			Capacity ranges for buffers with non-linear deflection curve				
Man ref	Dimensions		Rated speed v				
	D	H	0.50 m/s	0.63 m/s	0.75 m/s	0.85 m/s	1.0m/s
			Impact mass in Kg				
1251	125	80	186 - 3550	232 - 3035	250 - 1400	290 - 1250	310 - 1000
1651	165	80	310 - 7500	310 - 6400	310 - 3000	379 - 2760	463 - 2450
1411	140	110	310 - 4800	310 - 4500	310 - 4019	310 - 3504	310 - 3324
1002	100	170	267 - 2442	400 - 2149	520 - 1913	610 - 1740	700 - 1542
1252	125	170	320 - 2929	509 - 2577	722 - 2295	926 - 2078	1231 - 1849
1652	165	170	582 - 5325	926 - 4684	1312 - 4171	1683 - 3793	2237 - 3362
2202	220	170	1000 - 11019	1600 - 9694	2000 - 8631	2400 - 7849	3000 - 6957
1303	130	220	310 - 5000	310 - 4500	310 - 4100	310 - 3700	310 - 3322
1653	165	220	423 - 5730	673 - 5131	954 - 4640	1224 - 4272	1694 - 3783

Notes on installation :-

1. Cellasto buffers may be installed individually or in parallel arrangements.
2. They may either be mounted in the pit or alternatively on the under-side of the car sling or counterweight
3. The mounting surface should be smooth and flat and approximately 15% greater than the buffer diameter
4. When using a buffer with a plastic insert (type K), a washer (DIN 125) should be used on the fixing bolt. Position under bolt head to ensure even pressure on the insert when tightening

® = registered trademark of Elastogran or rather BASF

Elastogran



BASF Group



01376 550666
01376 341219

All dimensions in (mm)
Sassi Lift Systems Ltd

Issue ref: 01-04
Section : 06-02